

# Quick-install Manual Trolleys

## APPLICATION

The spiral pole of single-track driving is pushing by the hand, under walks the track on the edge of a wing. Chain block can be attached to it as a traveling chain block. It is suitable for use in factories, mines, farms, construction sites, wharves, docks and warehouse for loading and unloading goods.

## FEATURES

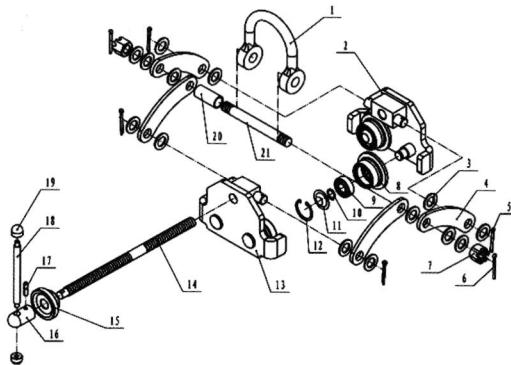
There are the following features to the spiral pole of single-track driving in design and service.

1. Easily install and adjust according to the track width, having the lock device.
2. Safe, reliable, and durable in use.
3. Tighted structure and attractive appearance, light agile bending on the track.
4. Four wheels are pressured at the same time to carry, with smoothing work.

## CONSTRUCTURE

The single-tracked driving structure of spiral pole is novel, and is equipped with Lift side plate. Right side plate, Sling, Connection board, Supporting seat, Double spiral pole and Wheel etc. Wheels and supporting seat is installed respectively on the Lift side plate and Right side plate, connected by double spiral pole, adjusting the width between wheels. Link board, sling and supports cooperation by bolt and connection, and forms the single-trucked driving of spiral pole. Namely the chain block is hanging to start work to pull the bottle gourd on the sling to load and to unload the heavy object, namely pushing forward the driving can move the heavy objects.

Exploded View

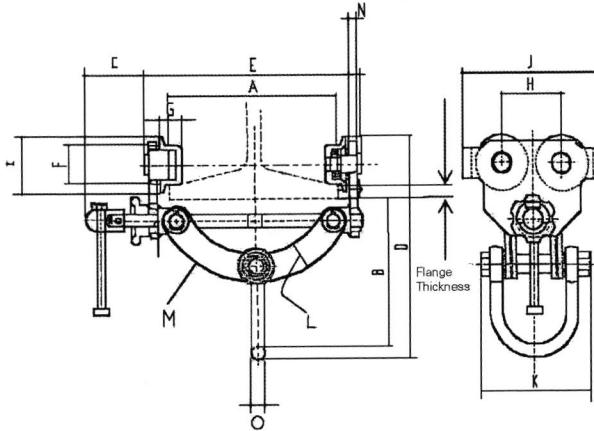


Parts list

NO	Parts Description	Qty	NO	Parts Description	Qty
1	Unscrewing	1	12	Circlip	4
2	Plank	1	13	Plank	1
3	Gasket	14	14	Lead screw	1

4	Connecting rod	4	15	Hand wheel	1
5	Cotter Pin	4	16	Attachment	1
6	Cotter Pin	2	17	Pin	1
7	Nut	2	18	Release lever	1
8	Wheel	4	19	Nut	2
9	Bearing	4	20	Spacing Wrap	1
10	Circlip	4	21	Axis	1
11	Shield	4			

**QUICK INSTALL MANUAL TROLLEY**



MODEL NUMBER	QIT-1	QIT-2	QIT-4	QIT-6	QIT-8	QIT-10	QIT-12
Capacity (lbs.)	1,000	2,000	4,000	6,000	8,000	10,000	12,000
I-Beam width/min	2.95"	2.95"	2.95"	2.95"	3.95"	3.95"	3.95"
I-Beam width/max	5 1/8"	5 1/4"	7 1/4"	7 1/4"	7 1/4"	7 1/4"	7 1/4"
Net WT. (lbs.)	15	20	25	45	70	73	75
Overall Size	10 1/2 x 6 x .006"	11 x 7 x 6.88"	13 1/2 x 7 1/4 x 7 1/2"	15.38 x 12 1/2 x 9 1/2"	20 x 15 x 11.688"	20 x 15 x 11.688"	20 x 15 x 11.688"
Curved radius	27 1/2"	40"	40"	51 1/2"	67"	67"	67"
B max/min	6.10/5.0"	7.50/6 1/2"	9.33/7 1/4"	9 3/4/7.70"	13 1/4/8 3/4"	13 1/4/8 3/4"	13 1/4/8 3/4"
C max/min	3.75/2.68"	4/2.90"	5.30/2.90"	6.20/3.7"	8 3/8/4 1/4"	8 3/8/4 1/4"	8 3/8/4 1/4"
D max/min	8.85/7.80"	10.50/9.50"	11.75/9.90"	14.40/12.40"	18.40/15 1/4"	18.40/15 1/4"	18.40/15 1/4"
E max/min	6 1/4/3 1/4"	7 1/4/4 1/4"	10.00/5.15"	10.70/5 1/4"	13 1/4/8.78"	13 1/4/8.78"	13 1/4/8.78"
F	1.81"	2.19"	2.19"	2.69"	3.31"	3.31"	3.31"
G	7/8"	1.189"	1.189"	1"	1.071"	1.071"	1.071"
H	2 9/16"	3"	3"	5 1/2"	7"	7"	7"
I	2 1/2"	2.79"	2.79"	3 7/16"	4"	4"	4"
J	5 1/2"	7"	7"	11"	13 1/4"	13 1/4"	13 1/4"
K	5 1/4"	5 1/4"	5 1/4"	7 3/8"	8 1/2"	8 1/2"	8 1/2"
L	1"	1.184"	1.184"	1.670"	1.720"	1.720"	1.720"
M	1/2"	1/2"	1/2"	0.255"	0.388"	0.388"	0.388"
N	0.232"	0.300"	0.394"	0.551"	0.725"	0.725"	0.725"
O	0.397"	0.641"	0.644"	1"	1.08"	1.08"	1.08"
Amax/min	2.95"~5 1/4"	2.95"~5 1/4"	2.95"~7 1/4"	2.95"~7 1/4"	3.95"~7 1/4"	3.95"~7 1/4"	3.95"~7 1/4"
Flange thickness	3/8"~3/5"	3/8"~3/5"	3/8"~13/16"	3/8"~13/16"	7/16"~1"	7/16"~1"	7/16"~1"